

# 11201

Copyright © 2022 Vesna Duval All rights reserved. Production of this model is allowed only to Eko igrala d.o.o. Eco play l.l.c., copying is prohibited. All models are registered with ProtectMyWork.com

# MOTORIKO

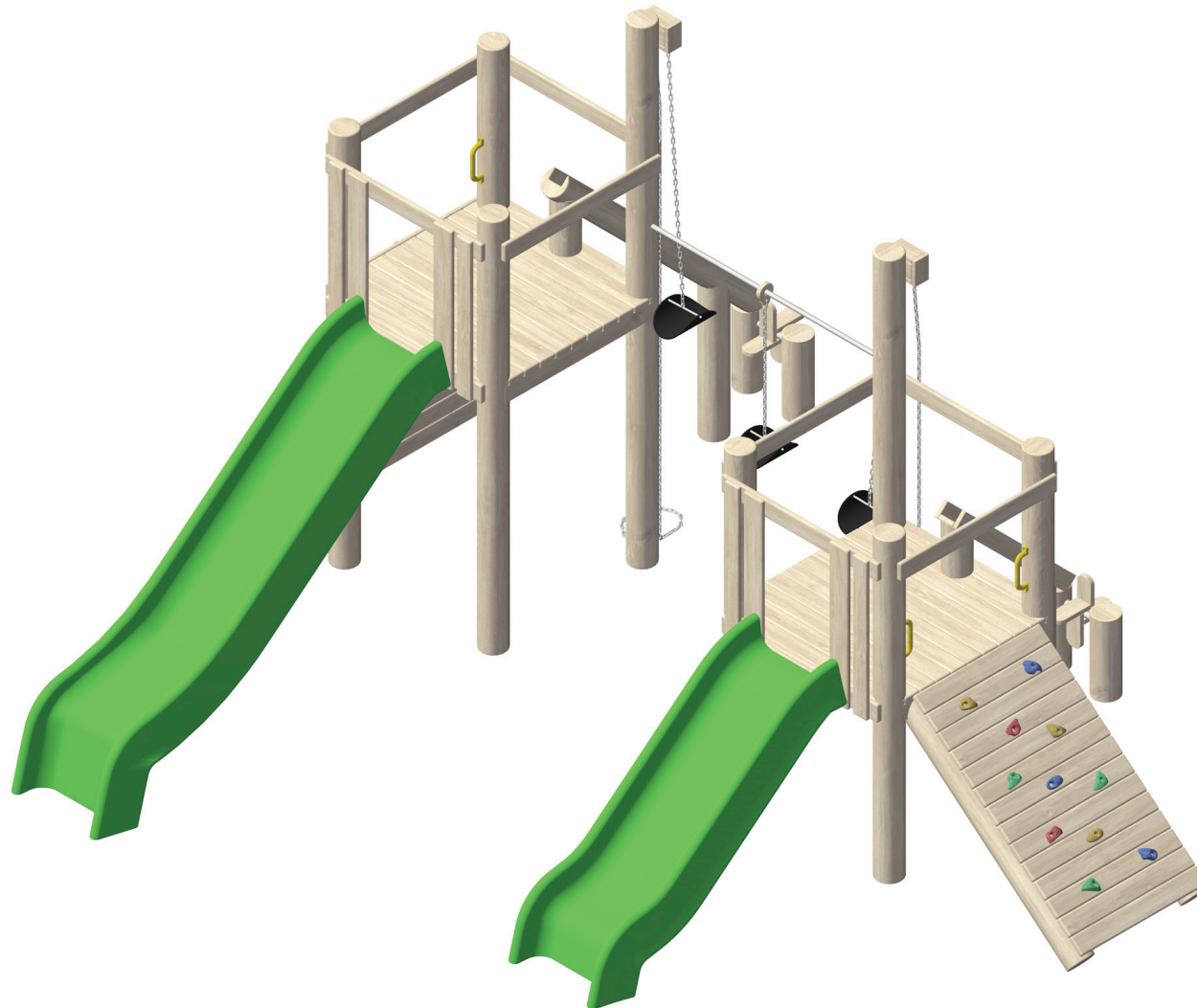
Manufactured by [ecoplay.eu](http://ecoplay.eu)



# 3d view 1

Robinia is Europe's most durable wood. As it is hardwood the resistance is compared to Teak and Iroko. Robinia is naturally durable up to 20 years and more (class 1: very durable according to EN 350-2).

**MOTORIKO**  
Manufactured by [ecoplay.eu](http://ecoplay.eu)

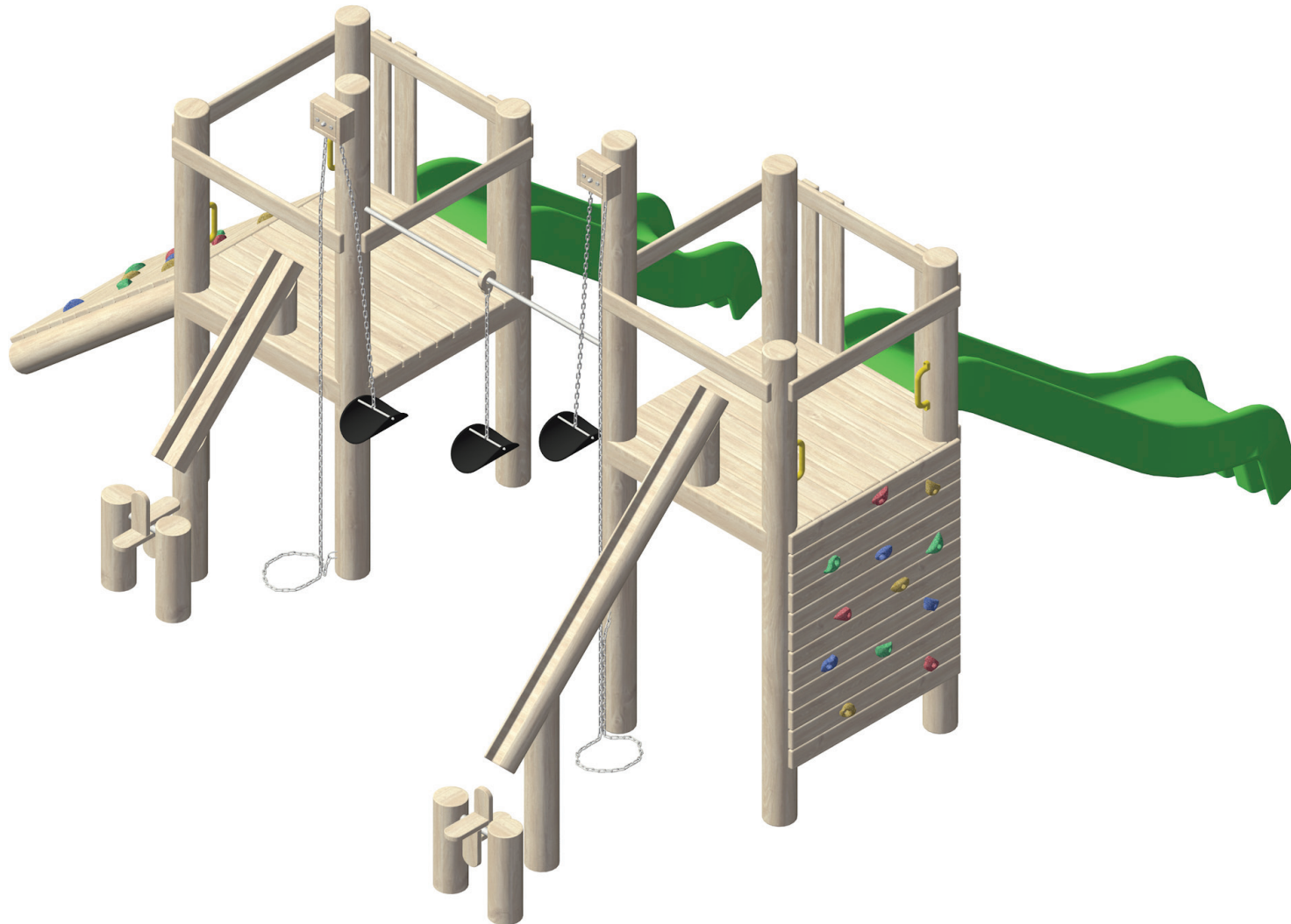


## 3d view 2

This product is organic and hand-made. As Robinia wood has a high content of natural preservatives there is no need to treat the wood with chemicals. Ecoplays' Robinia equipment is designed to offer a wide range of play/workout options and is hand-made by Ecoplays' experts.

# MOTORIKO

Manufactured by [ecoplay.eu](http://ecoplay.eu)



# Virtual reality detail 1

Ecoplays' own unique, innovative design, safety expertise, and traditional handcrafted procedures make Ecoplays' products attractive, durable, and safe. The equipment for children is produced according to EN 1176. The equipment for adults and teens is produced according to EN 16630.

# MOTORIKO

Manufactured by [ecoplay.eu](http://ecoplay.eu)



## Virtual reality detail 2

For maximum satisfaction, Ecoplay combines the best Robinia wood with stainless steel and polyethylene accessories. Ecoplays' Robinia playgrounds offer long durability that only requires little maintenance and will withstand many generations of children playing.

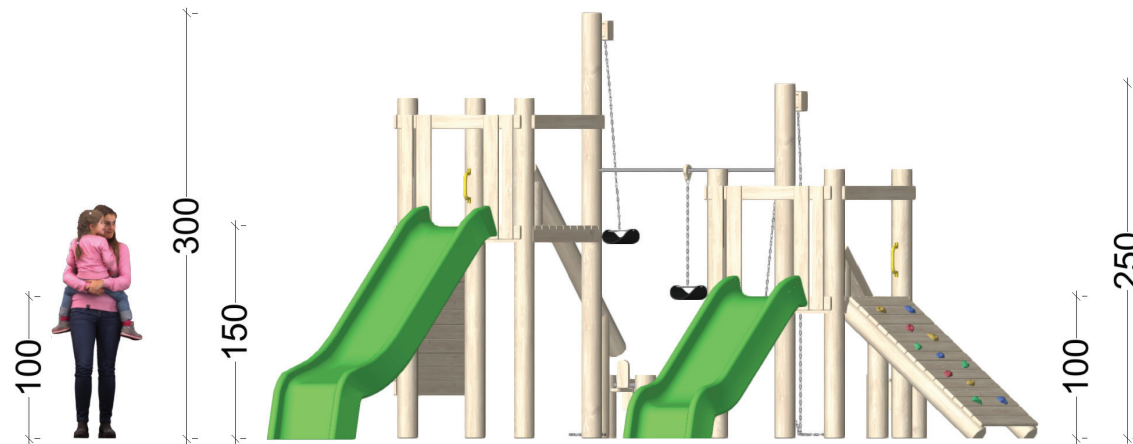
**MOTORIKO**  
Manufactured by [ecoplay.eu](http://ecoplay.eu)



# Groud view & heights

Ecoplays' equipment has best quality slides that are produced in Germany and Italy.  
Options for slides: - stainless steel slides or  
- polyethylene slides in colors: green, blue, yellow, orange, red.

**MOTORIKO**  
Manufactured by ecoplay.eu



Fall height (cm): 100, 150

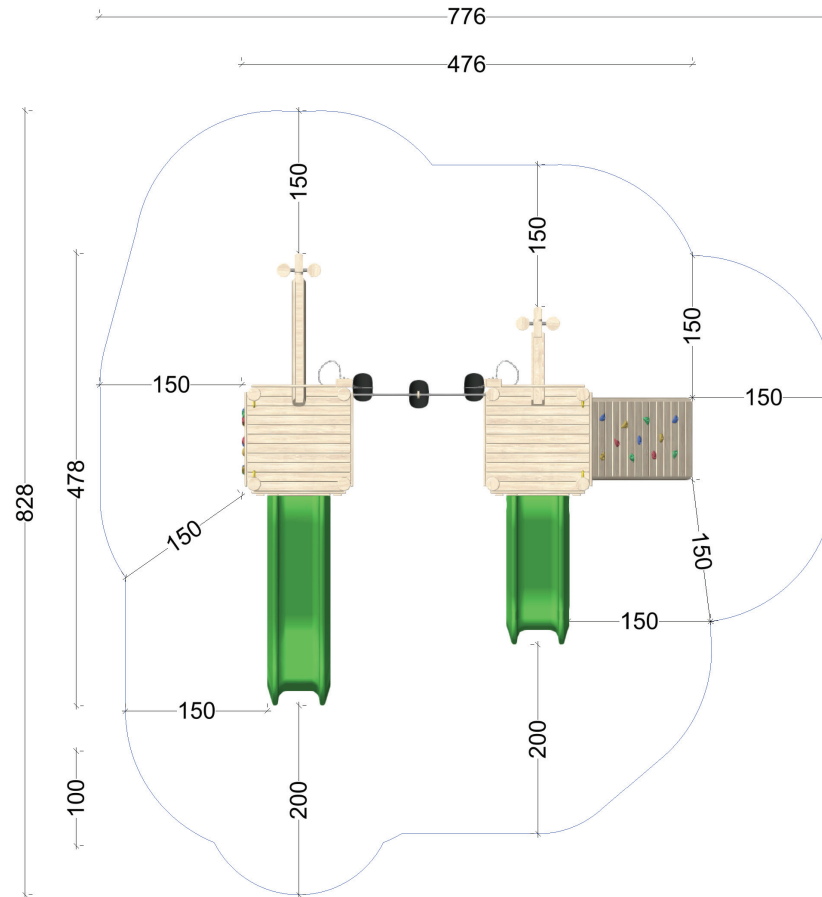
Age group (years): 1+ with supervision and assistance and 3+



# Top view & dimensions

A totally green production: the bark and the sapwood that is removed from the Robinia pillars is transported to a local factory that produces pellets for heating. The small parts of the pillars are cut into small pieces and transported to a local pizzeria that uses it for pizza fire.

**MOTORIKO**  
Manufactured by [ecoplay.eu](http://ecoplay.eu)



For stainless steel slides the safety area at the exit of the 150 cm high slide is around 40 cm longer and of the 100 cm high slide it is around 50 cm longer.

